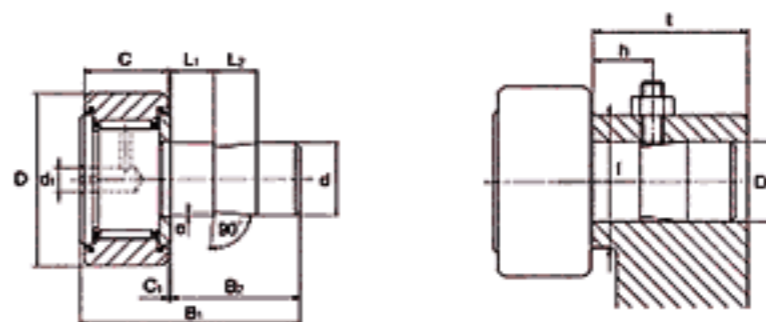


EASY MOUNTING TYPE CAM FOLLOWERS CF-SFU



JNS:CF-SFU TYPE

CF-SFU

Stud diameter mm	Dimensions (mm)											Mounting Dimensions (mm)				Basic dynamic load rating Cr N	Basic static load rating Cor N	Largest permissible load N	Limiting speed rpm	Designation	Weight g	
	D	C	d	B ₁	B ₂	C ₁	L ₁	L ₂	d ₁	e	¹⁾ γ _{sm}	D ₁ Tolerance	t Min	f Min	h (Ref)							
6	16	11	6	32	20	0.6	5	10	4	0.3	0.3	6	+0.012 0	20	11	10	3 630	3 630	2 110	25 000	CF-SFU-6	19
8	19	11	8	32	20	0.6	5	10	4	0.5	0.3	8	+0.015 0	20	13	10	4 310	4 710	4 710	20 000	CF-SFU-8	28.5
10	22	12	10	33	20	0.6	5	10	4	0.5	0.3	10		20	15	10	5 390	6 860	6 860	17 000	CF-SFU-10	43
	26	12	10	33	20	0.6	5	10	4	0.5	0.3	10	20	15	10	5 390	6 860	6 860	17 000	CF-SFU-10-1	58.5	
12	30	14	12	35	20	0.6	5	10	6	1	0.6	12	+0.018 0	20	20	10	7 940	9 800	9 800	14 000	CF-SFU-12	93
	32	14	12	35	20	0.6	5	10	6	1	0.6	12		20	20	10	7 940	9 800	9 800	14 000	CF-SFU-12-1	103
16	35	18	16	44.5	25	0.8	10	10	6	1	0.6	16	+0.018 0	25	24	15	12 050	18 330	18 330	10 000	CF-SFU-16	163.5
18	40	20	18	46.5	25	0.8	10	10	6	1	1	18		25	26	15	14 700	25 200	25 200	8 500	CF-SFU-18	235
20	52	24	20	50.5	25	0.8	10	10	8	1	1	20	+0.021 0	25	36	15	20 680	34 600	32 140	7 000	CF-SFU-20	436
	47	24	20	50.5	25	0.8	10	10	8	1	1	20		25	36	15	20 680	34 600	32 140	7 000	CF-SFU-20-1	361

1) Smallest permissible chamfer dimension.

CF

CF